



Project _____

Item # _____

Quantity _____

Palletti® Drop-In Induction Warmer

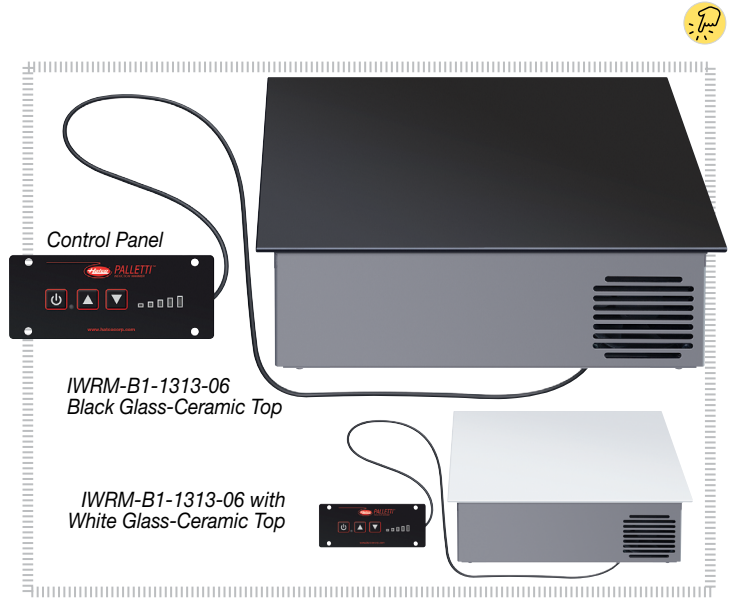
Model: IWRM-B1-1313-05, -06

Hatco's patent-pending Palletti® Drop-In Professional Induction Warmers offer a safe, efficient and attractive way to keep hot foods hot. Perfect for serving applications such as buffet lines and hospitality suites. The warmer has five simple and precise settings, which allow for a wide variety of foods to be held both safely and at optimum quality. The units are also memory retentive, so once turned off and back on, the last setting will resume.

This unit can be mounted flush or near flush to the countertop with the optional trim ring.

Standard features:

- Adaptable for buffets and many other front-of-the-house applications to give the most attractive and visible food presentations
- Pan Sense Technology (PST) activates the unit only when a suitable pan is placed on top
- Once installed the glass-ceramic top never needs to be removed. For service or replacement, the lower housing can be removed separately
- Features a control panel with a standby key, temperature control arrow keys and temperature setting indicators
- Energy efficient, quiet and safe operation
- Choose black or white glass-ceramic top which is durable and easy to clean
- Features for both safety and convenience, such as the automatic shut-off to prevent overheating
- Includes remote control panel and cord
- 71" (1800 mm) cord with plug and a 39" (1000 mm) detachable control cable



Options (available at time of purchase only)

- White Glass-Ceramic Top (Black Glass-Ceramic is standard)

Accessories (available for purchase at any time)

- Trim Ring in Stainless Steel (holds unit nearly flush on a stainless steel counter or any similar material [TRIM-IWRM-1B])
- Flush Mount Bracket* (IWRM-FLUSHBKT)

**For use where step routing of the countertop material is not possible, but a flush-mounted look is desired.*

 For operation, location and safety information, please refer to the Installation and Operating Manual.



(CE approvals for only IWRM-B1-1313-05 except 220/60 volts option)

HATCO CORPORATION | P.O. Box 340500 Milwaukee, WI 53234-0500 U.S.A. | (800) 558-0607 | (414) 671-6350

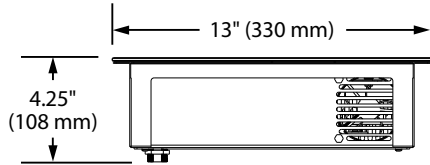
 www.hatcocorp.com | support@hatcocorp.com | [Find a Hatco Rep](#) | [Image Library](#) | [Document Library](#) | [Patents](#) | [Chat](#)



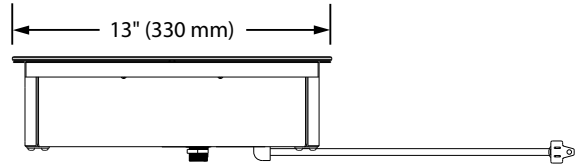
Palletti® Drop-In Induction Warmer

Model: IWRM-B1-1313-05, -06

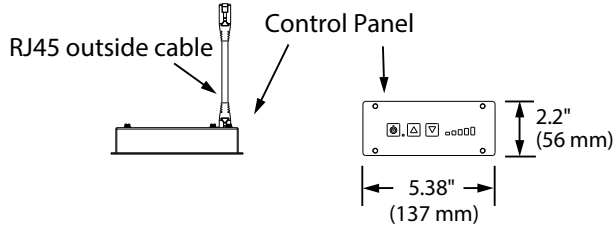
IWRM-B1-1313-05, -06 Model



FRONT VIEW



SIDE VIEW

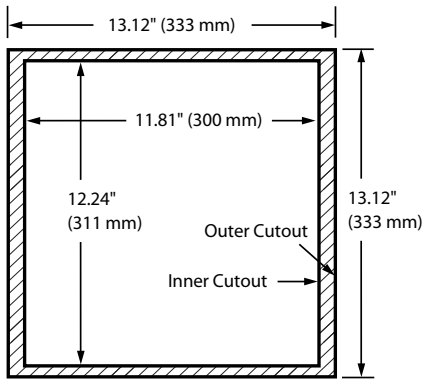


Cutout Dimensions for Control Panel

Model	Width	Height
IWRM-B1-1313-05, -06	5" (129 mm)	1.5" (38 mm)

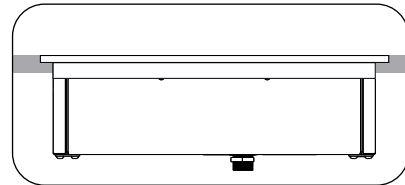
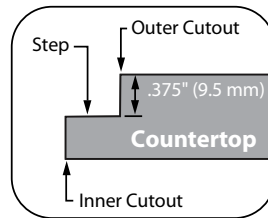
IWRM-B1-1313-05, -06 Model Cutout Dimensions

Cutout Dimensions for Flush Mount (thicker countertops)

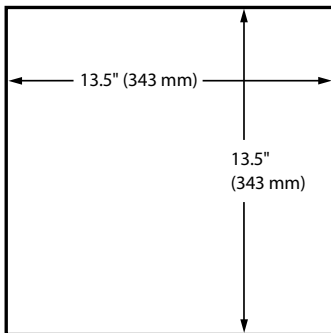


Cutout Dimensions for Flush Mount

Model	Outer Cutout		Inner Cutout	
	Width	Depth	Width	Depth
IWRM-B1-1313-05, -06	13.12" (333 mm)	13.12" (333 mm)	11.81" (300 mm)	12.24" (311 mm)



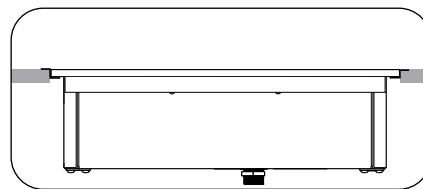
Cutout Dimensions for Trim Ring (holds unit nearly flush on a stainless steel countertop or any similar material)



Cutout Dimensions for Trim Ring

Model	Width	Depth
IWRM-B1-1313-05, -06	13.5" (343 mm)	13.5" (343 mm)

Cutaway view of Trim Ring



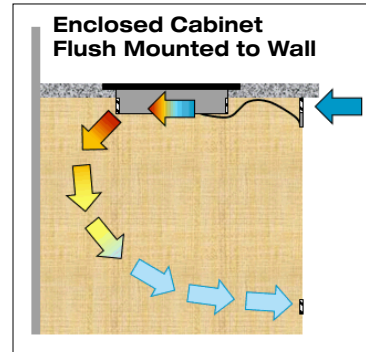
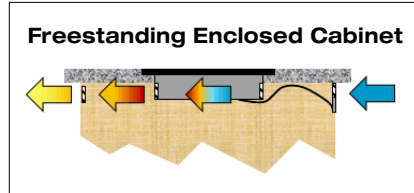


Palletti® Drop-In Induction Warmer

Model: IWRM-B1-1313-05, -06

IWRM-B1-1313-05, -06 Model Ventilation Requirements

Clearances: 2" (51 mm) for front and sides.
Minimum 6" (152 mm) for rear.



Cabinets should be sufficiently open to allow fresh air to cool the units. Two areas equal to 20 sq. inches (129 sq. cm) each should be provided for each unit. These should be located as close as possible to the intake

(front) and exhaust (rear) sides of the unit. In cases where the cabinet is located against a wall, install one opening near the control panel and the other toward the bottom of the cabinet.

SPECIFICATIONS Drop-In Induction Warmer

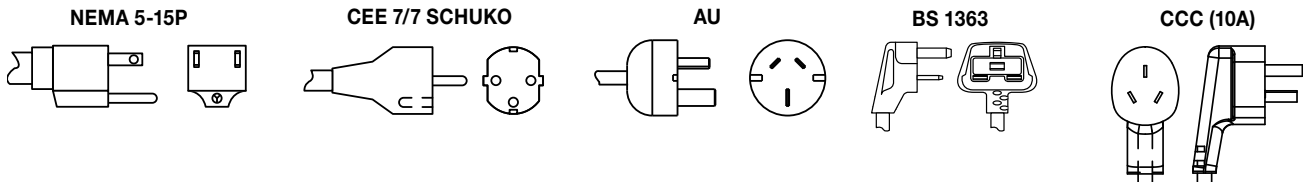
Model	Dimensions (Width x Depth x Height)	Volts	Watts	Amps	Plug and Cord Location (Rear left bottom base corner)	Ship Weight*
IWRM-B1-1313-06	13" x 13" x 4.25" (330 x 330 x 108 mm)	120	600	5.0	NEMA 5-15P	13 lbs. (6 kg)
IWRM-B1-1313-05		220, 230, 240 (CE)	500	2.3/2.2/2.1	CEE 7/7 Schuko, AU, BS 1363, CCC (10A)	
		220/60			BS 1363	

* Shipping weight includes packaging and is approximate.

PAN SIZE

Maximum Pan Size: 11⁷/₈" diameter (300 mm), Minimum Pan Size: 4" diameter (102 mm).

PLUG CONFIGURATIONS



PRODUCT SPECS Palletti® Drop-In Induction Warmer

The Drop-In Induction Warmer shall be a Palletti® model, manufactured by the Hatco Corporation, Milwaukee, WI 53234 U.S.A.

The Drop-In Induction Warmer shall be rated at ... watts, ... volts, single phase and be ... inches (millimeters) in overall width. The Drop-In Induction Warmer shall consist of a stainless steel housing with a painted aluminum base with a single generator coil and a glass-ceramic top surface. It includes an ON/OFF button, 5 power levels and a USB port.

A 71" (1800 mm) cord and plug is included. The remote control box is connected to the main case with a 39" (1000 mm) quick disconnect connector.

Options include a white glass-ceramic top, accessory trim ring and flush mount bracket.

Warranty consists of 24/7 parts and service assistance (US and Canada only).

